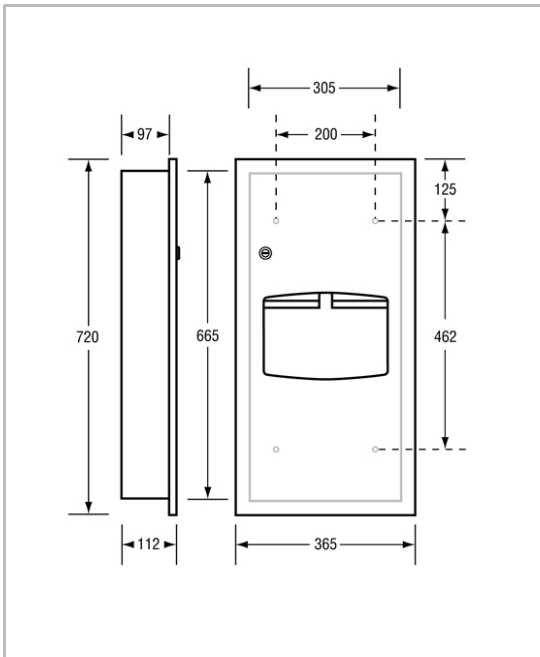




## ML710 Paper Towel Dispenser & Waste Receptacle

### SPECIFICATIONS

<b>Material/Finish</b>	#304 Satin Stainless Steel
<b>Features</b>	Unit fitted with security lock Full length piano hinge on door Seamless welds, rolled edges Waste container is locked into cabinet
<b>Dispenser/Options</b>	350 C-fold paper towels 475 Multi-fold paper towels
<b>Disposal</b>	6.5L Removable Stainless Steel waste container
<b>Overall Size</b>	365mmW x 720mmH x 115mmD
<b>Wall Opening</b>	325mmW x 685mmH x 105mmD



### SUITABLE APPLICATIONS

