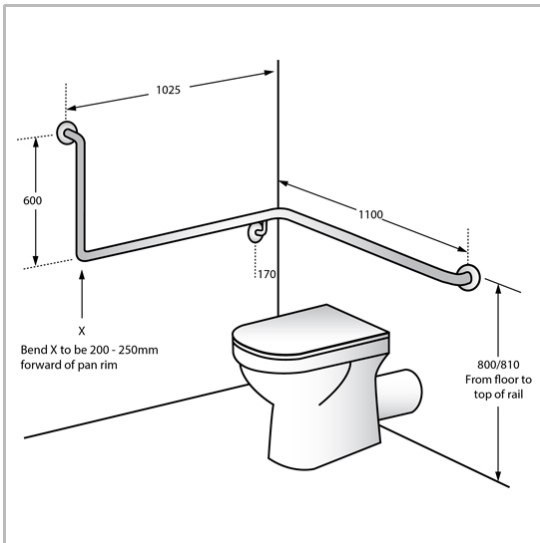




MLR116 90° Flush Mount Wrap Around Grab Rail RH

SPECIFICATIONS

Material	#304 Stainless Steel - 32mmØ
Mounting	Concealed Fix - 78mmØ Mount
Rail	60mm
Standoff	
Mounting Point	Horizontal @ 170mm Off Wall including Standoff
Finish	Satin Stainless Steel
Note	White Powder Coat Finish available on application
	Fully Compliant with AS1428. 1



SUITABLE APPLICATIONS

