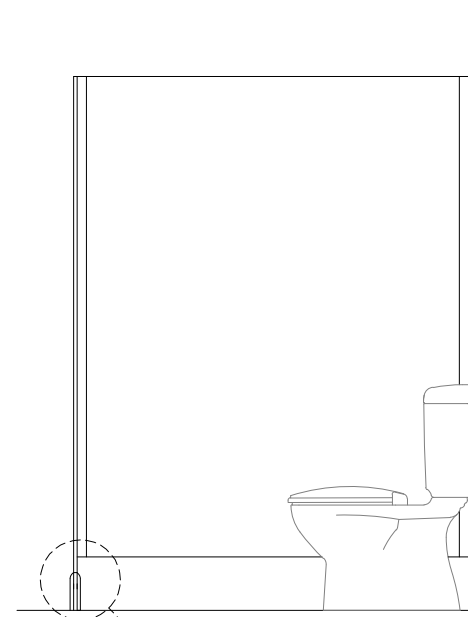
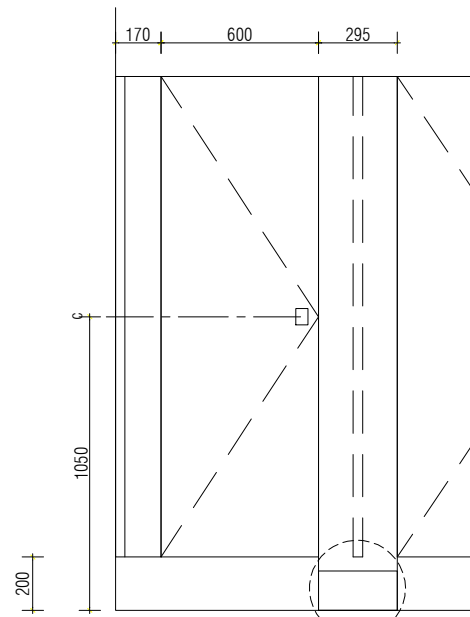


ANODISED ALUMINIUM CHANNEL NOTES
SCREW FIXED TO WALL
ALL DIMENSIONS NOMINAL



02 ELEVATION
1:10

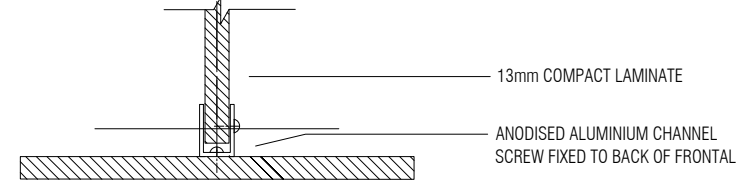
06



03 ELEVATION
1:10

06&07

04 DIVIDER FIXING
PLAN 1:2



05 FRONTAL FIXING (3G)
PLAN 1:2



ISSUE REVISION DATE APPD



Kirkbuild Commercial
Joinery Pty Ltd

Shed3B, 160 Toongarra Rd
Wulkuraka QLD 4305

Ph: (07) 3496 7900
admin@kirkbuild.com.au
www.kirkbuild.com.au

JOB DESCRIPTION
Kirkbuild Murray Channel

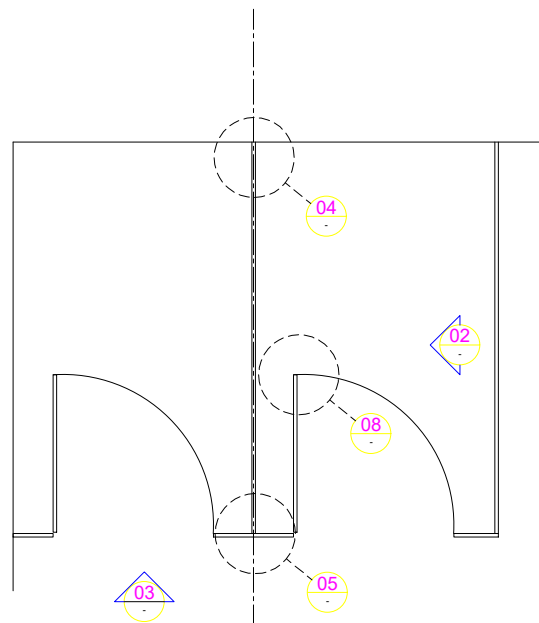
DRAWING DESCRIPTION
13mm Floor Mounted
K-Skirt Concealed Fixings
Partition System

DRAWN CHECKED

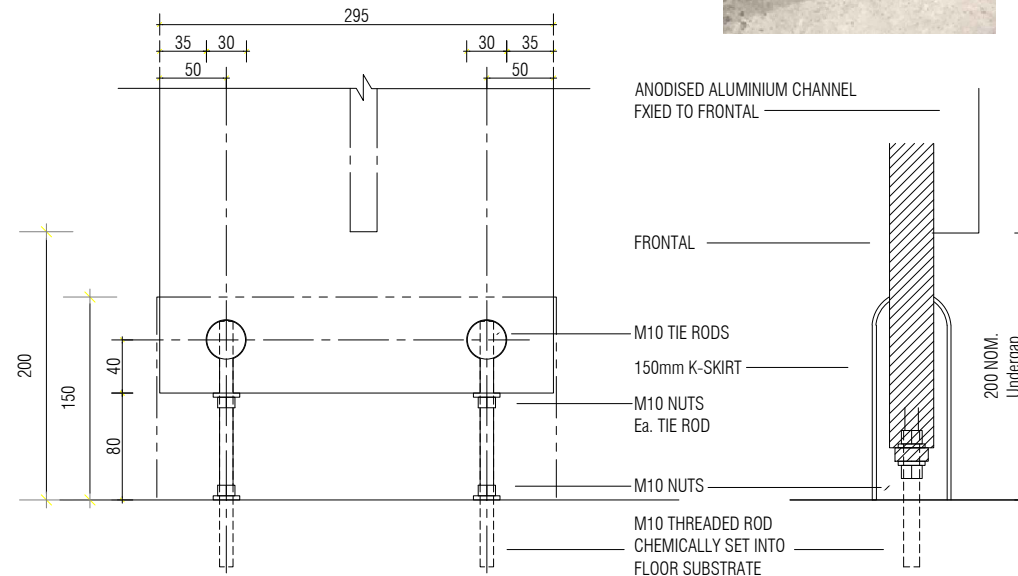
SCALE (AT A1) DATE
As Shown Jun 11

DRAWING NO. ISSUE
3 01

DO NOT SCALE DRAWING. VERIFY ALL
DIMENSIONS AND LEVELS ON SITE



01 PLAN
1:10



06 FRONTAL FIXING
ELEVATION 1:2

07 FRONTAL FIXING
SECTION 1:2