

ANODISED ALUMINIUM CHANNEL
SCREW FIXED TO WALL

NOTES
ALL DIMENSIONS NOMINAL

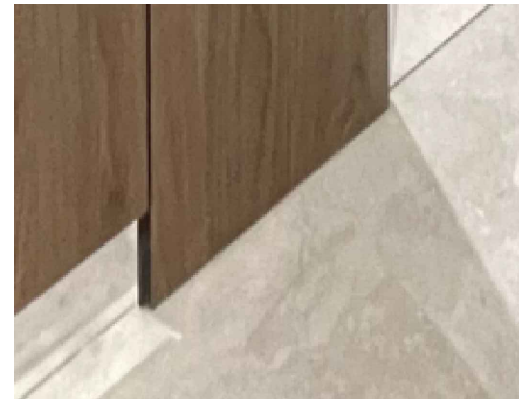
PARTITION SCREW FIXED
TO CHANNEL

04 DIVIDER FIXING
PLAN 1:2

13mm COMPACT LAMINATE

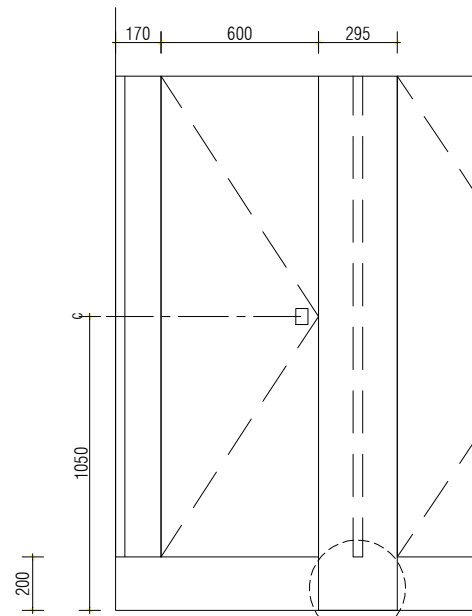
ANODISED ALUMINIUM CHANNEL
SCREW FIXED TO BACK OF FRONTAL

05 FRONTAL FIXING (Murray Pure)
PLAN 1:2



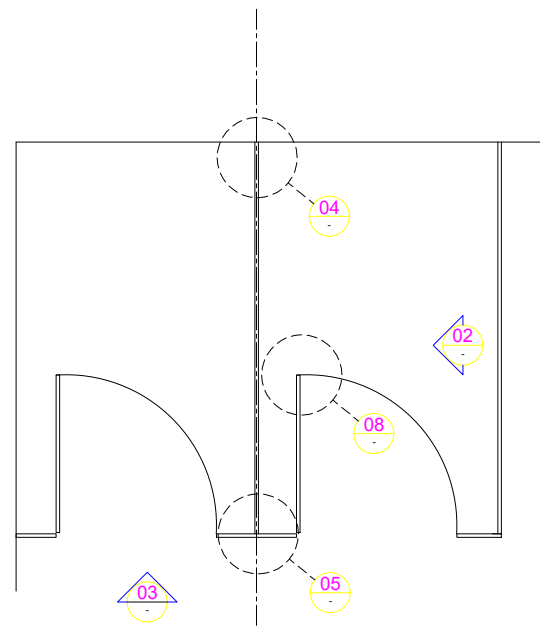
02 ELEVATION
1:10

06

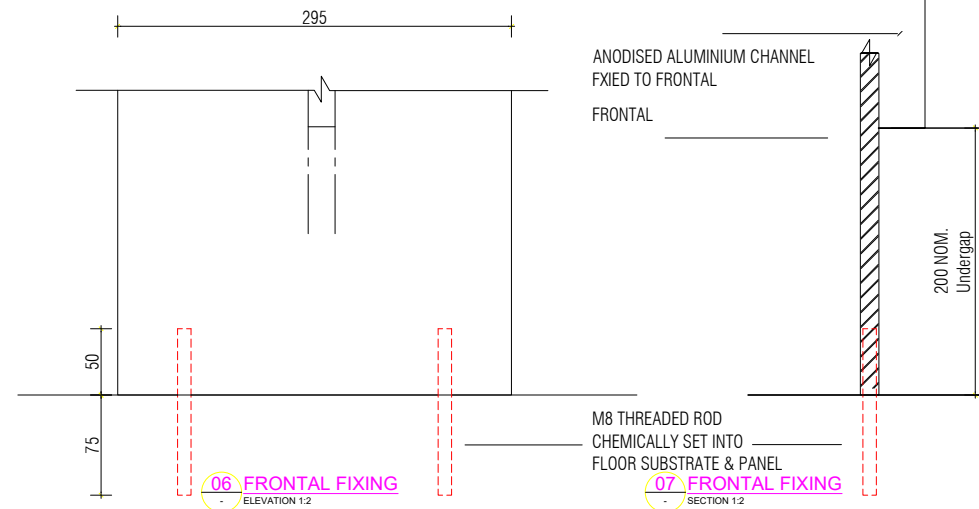


03 ELEVATION
1:10

06&07



01 PLAN
1:10



06 FRONTAL FIXING
ELEVATION 1:2

ANODISED ALUMINIUM CHANNEL
FIXED TO FRONTAL
FRONTAL

M8 THREADED ROD
CHEMICALLY SET INTO
FLOOR SUBSTRATE & PANEL

07 FRONTAL FIXING
SECTION 1:2

ISSUE REVISION DATE APPD



Kirkbuild Commercial
Joinery Pty Ltd

Shed3B, 160 Toongarra Rd
Wulkuraka QLD 4305

Ph: (07) 3496 7900
admin@kirkbuild.com.au
www.kirkbuild.com.au

JOB DESCRIPTION
Kirkbuild Invincible 3G

DRAWING DESCRIPTION
13mm Floor Mounted
Invisible Floor Fixings
Partition System

DRAWN CHECKED

SCALE (AT A1) DATE
As Shown Jun 11

DRAWING NO. ISSUE
3 01

DO NOT SCALE DRAWING. VERIFY ALL
DIMENSIONS AND LEVELS ON SITE