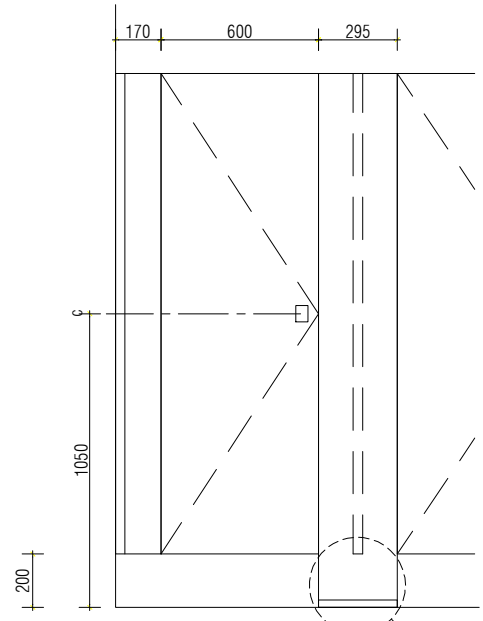


02 ELEVATION
1:10

06



03 ELEVATION
1:10

06&07

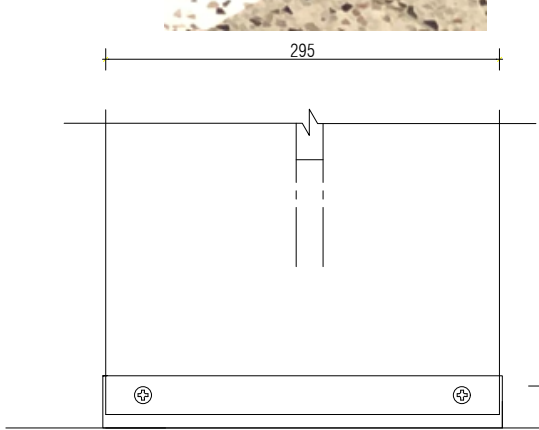
04 DIVIDER FIXING
PLAN 1:2



05 FRONTAL FIXING (Murray Pure)
PLAN 1:2

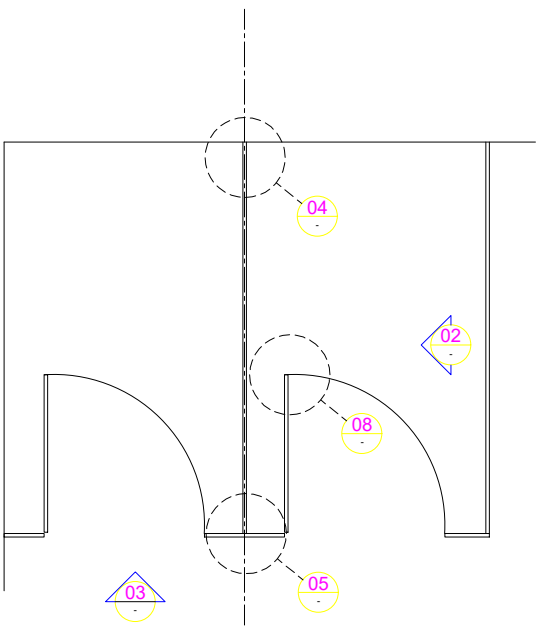
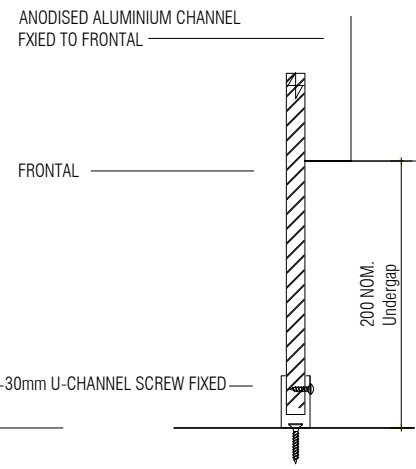


295



06 FRONTAL FIXING
ELEVATION 1:2

07 FRONTAL FIXING
SECTION 1:2



01 PLAN
1:10

ISSUE	REVISION	DATE	APPD

KIRKBUILD
Kirkbuild Commercial Joinery Pty Ltd
Shed3B, 160 Toongarra Rd Wulkuraka QLD 4305
Ph: (07) 3496 7900
admin@kirkbuild.com.au
www.kirkbuild.com.au

JOB DESCRIPTION
Kirkbuild Murray Channel

DRAWING DESCRIPTION
13mm Floor Mounted U-Channel Front Fixing Partition System

DRAWN _____ **CHECKED** _____

SCALE (AT A1) As Shown **DATE** Jun 11

DRAWING NO. 3 **ISSUE** 01

DO NOT SCALE DRAWING. VERIFY ALL DIMENSIONS AND LEVELS ON SITE