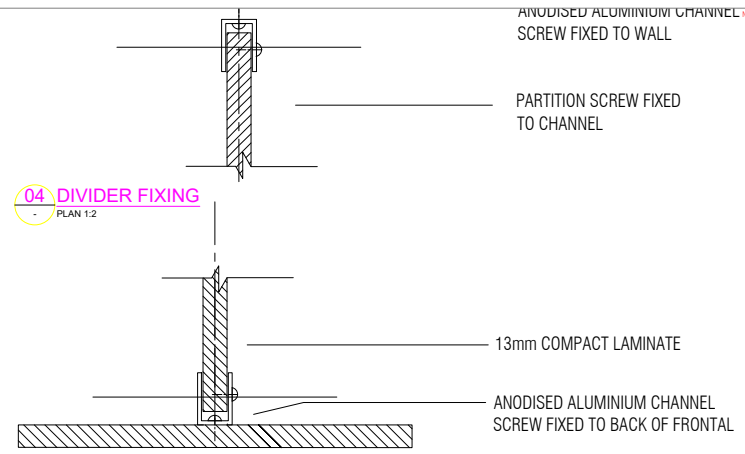
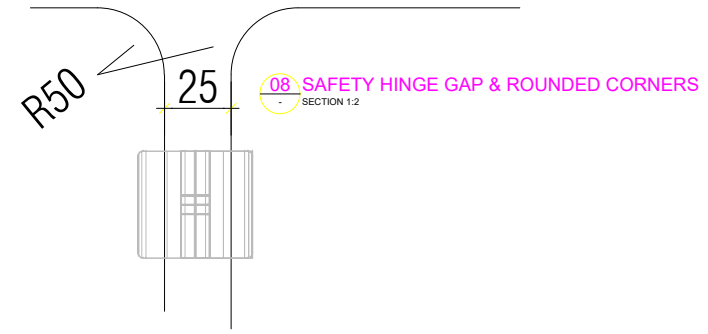


ANODISED ALUMINIUM CHANNEL NOTES
 ALL DIMENSIONS NOMINAL

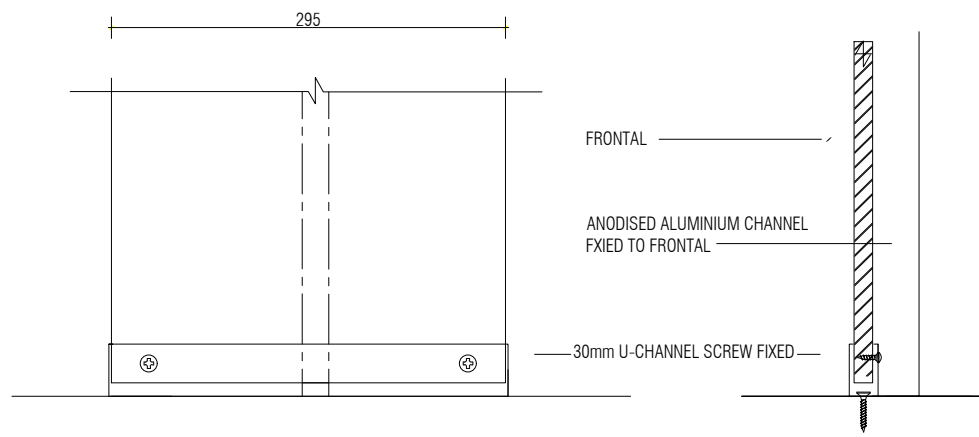


04 DIVIDER FIXING
 - PLAN 1:2

05 FRONTAL FIXING (3G)
 - PLAN 1:2

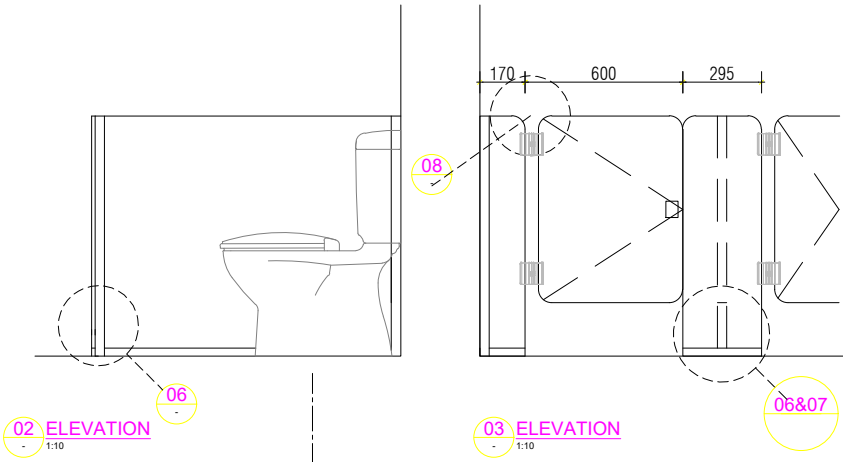


08 SAFETY HINGE GAP & ROUNDED CORNERS
 - SECTION 1:2



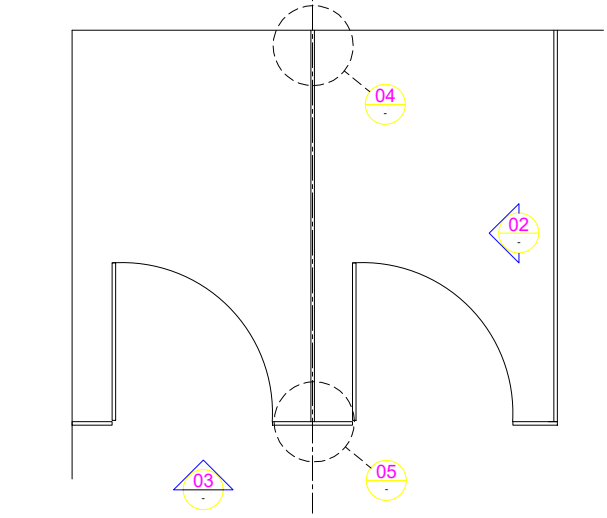
06 FRONTAL FIXING
 - ELEVATION 1:2

07 FRONTAL FIXING
 - SECTION 1:2



02 ELEVATION
 - 1:10

03 ELEVATION
 - 1:10



01 PLAN
 - 1:10



ISSUE REVISION DATE APP



Kirkbuild Commercial
 Joinery Pty Ltd

Shed3B, 160 Toongarra Rd
 Wulkuraka QLD 4305

Ph: (07) 3496 7900
 admin@kirkbuild.com.au
 www.kirkbuild.com.au

JOB DESCRIPTION
 Kirkbuild Junior

DRAWING DESCRIPTION
 Floor Mounted
 Junior Height
 Partition System
 Safety System
 DRAWN CHECKED

SCALE (AT A1) DATE
 As Shown Oct 21

DRAWING NO. ISSUE
 Junior 01

DO NOT SCALE DRAWING. VERIFY ALL
 DIMENSIONS AND LEVELS ON SITE