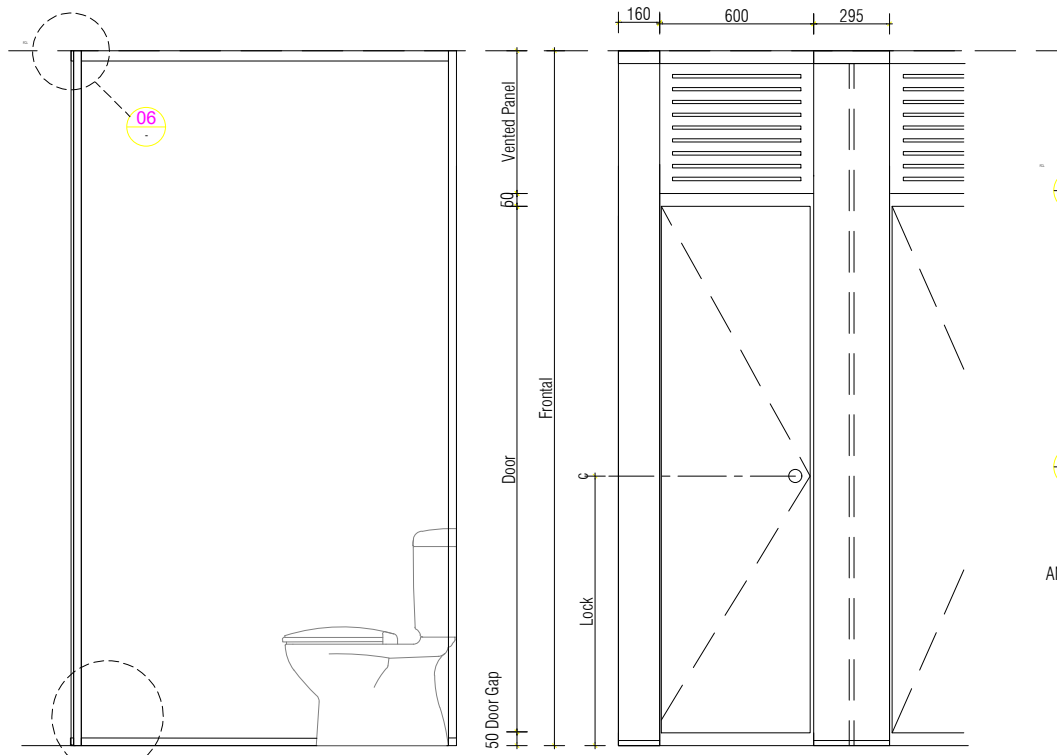
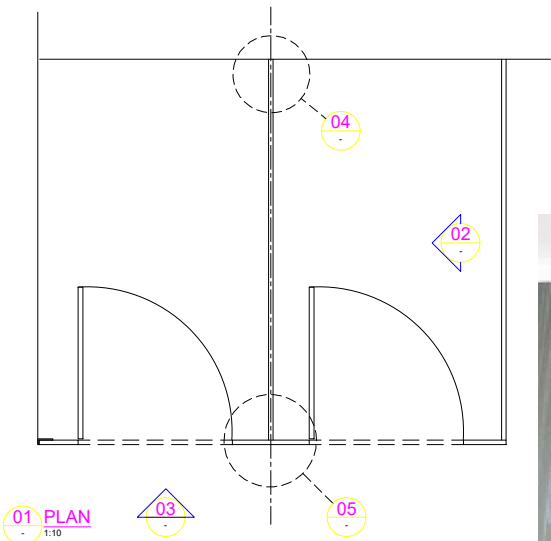


NOTES
ALL DIMENSIONS NOMINAL

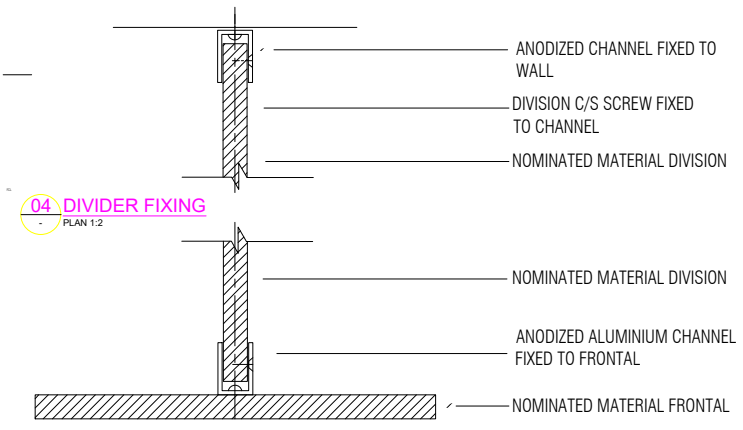


02 ELEVATION
1:10

03 ELEVATION
1:10

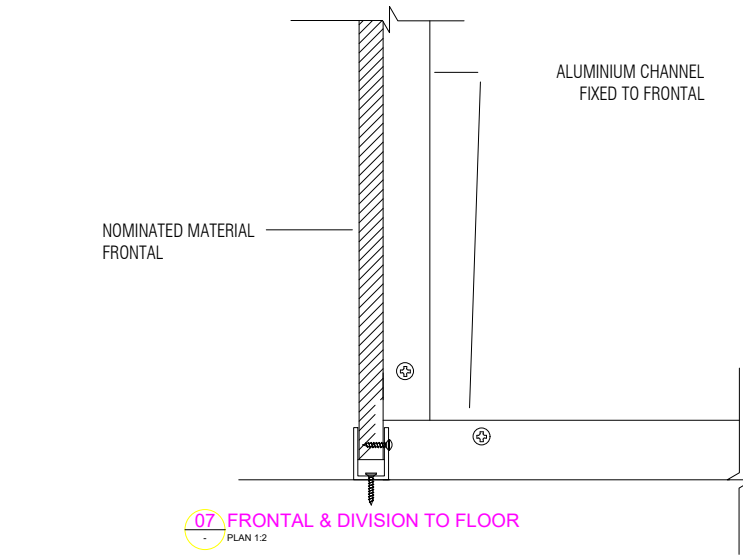
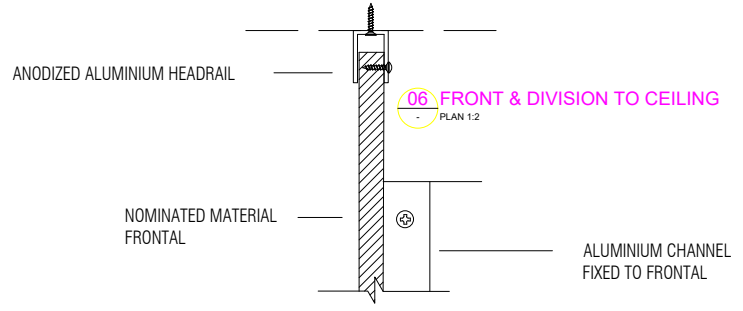


01 PLAN
1:10



04 DIVIDER FIXING
PLAN 1:2

05 FRONTAL TO DIVISION FIXING
PLAN 1:2



07 FRONTAL & DIVISION TO FLOOR
PLAN 1:2

ISSUE	REVISION	DATE	APPD
XX	X	XX.XX.XX	XXX



Kirkbuild Commercial
Joinery Pty Ltd

Shed3B, 160 Toongarra Rd
Wulkuraka QLD 4305

Ph: (07) 3496 7900
admin@kirkbuild.com.au
www.kirkbuild.com.au

JOB DESCRIPTION
Kirkbuild Darling DETE (FH)

DRAWING DESCRIPTION
13mm Compact Laminate
Floor to Ceiling Partition System

DRAWN _____ CHECKED _____

SCALE (AT A1) DATE
As Shown Oct, 21

DRAWING NO. ISSUE
Darling DETE 01

DO NOT SCALE DRAWING. VERIFY ALL
DIMENSIONS AND LEVELS ON SITE