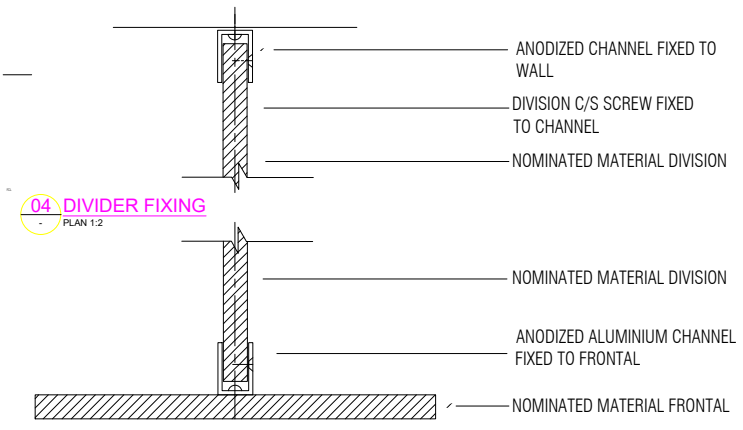
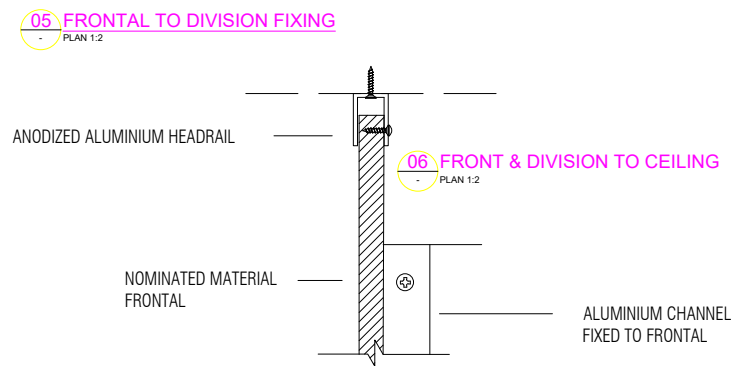


02 ELEVATION
1:10

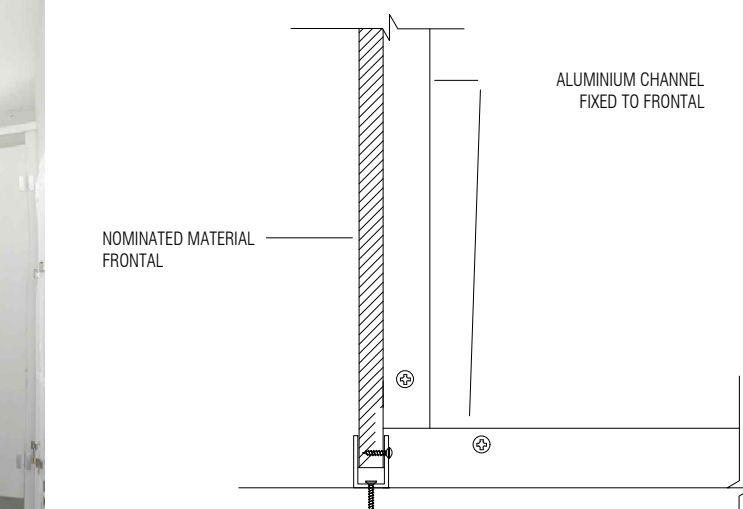
03 ELEVATION
1:10



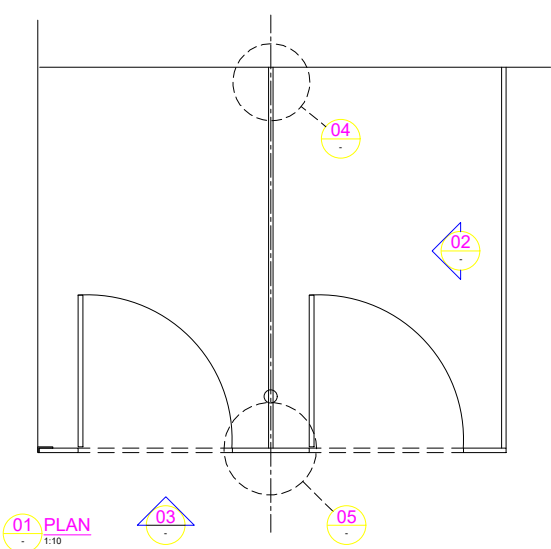
04 DIVIDER FIXING
PLAN 1:2



05 FRONTAL TO DIVISION FIXING
PLAN 1:2



06 FRONT & DIVISION TO CEILING
PLAN 1:2



01 PLAN
1:10



07 FRONTAL & DIVISION TO FLOOR
PLAN 1:2

ISSUE	REVISION	DATE	APPD
XX	X	XX.XX.XX	XXX

KIRKBUILD
Kirkbuild Commercial Joinery Pty Ltd

Shed3B, 160 Toongarra Rd
Wulkuraka QLD 4305

Ph: (07) 3496 7900
admin@kirkbuild.com.au
www.kirkbuild.com.au

JOB DESCRIPTION
Kirkbuild Darling (FH)

DRAWING DESCRIPTION
13mm Compact Laminate
Floor to Ceiling Partition System

DRAWN	CHECKED
--------------	----------------

SCALE (AT A1)	DATE
As Shown	Oct, 21

DRAWING NO.	ISSUE
Darling	01

DO NOT SCALE DRAWING. VERIFY ALL DIMENSIONS AND LEVELS ON SITE