

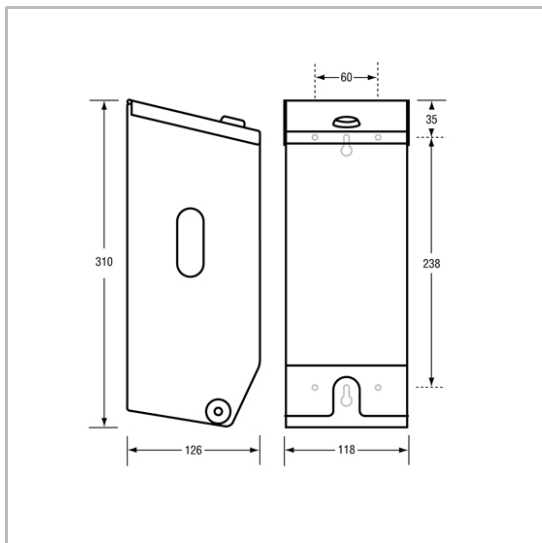


ML832-SS

Double Toilet Roll Dispenser - SS Satin Finish

SPECIFICATIONS

Material	ML 832 SS: #304 Stainless Steel Cabinet and Spring Clip ML 832 W: Cold Rolled Steel Cabinet and Spring Clip
Finish/Specify	ML 832 SS: Satin Stainless Steel ML 832 W: White Powder Coat
Mounting	Surface Mount Concealed Fix
Capacity	Dispenses/Holds two rolls up to 135mmØ
Features	Replacement roll held in place by internal Spring Clip and drawn down through side slots after bottom roll is used and core removed Unit fitted with tumbler lock



SUITABLE APPLICATIONS

