



300-Safety-Series Safety Turn Lock & Indicator Set

SPECIFICATIONS

Indicator

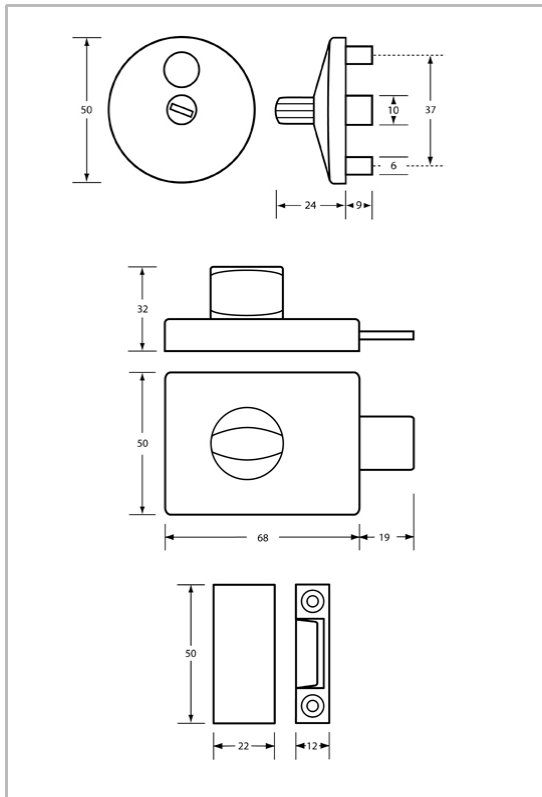
Material	Brass
Finish	Satin Chrome
Mounting	Concealed Screw Fix
Features	Indicator with Safety Turn Release

Turnbolt

Material/Specify	Diecast Zinc
Finish	Satin Chrome
Mounting	Concealed Screw Fix Surface Mounted

Staple

Material	Diecast Zinc
Finish	Satin Chrome
Mounting	Concealed Screw Fix Surface Mounted



SUITABLE APPLICATIONS

