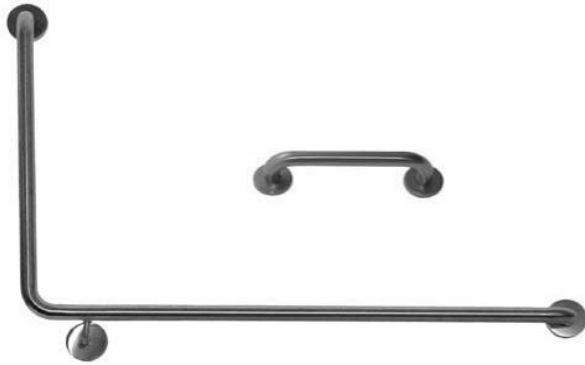


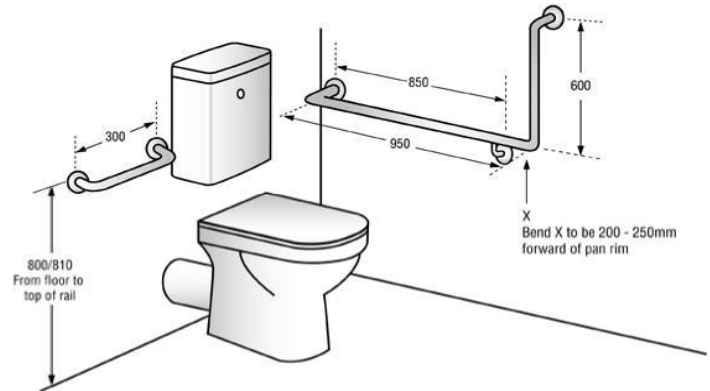
MATERIAL SPECIFICATION & INSTALLATION GUIDE

PRODUCT ITEM CODE & DESCRIPTION

MLR 103 / 104 ~ DISABLED WC 90° GRAB RAIL SET



MLR 104 (R/H)



MLR 103 (L/H in-situ depiction)

MATERIAL SPECIFICATIONS:

#304 Grade Stainless Steel 32mm \varnothing Tubing, #3 Finish / Concealed Multi-point Fix 75mm \varnothing Wall Mount Flanges / All Welds Seamless and Finished / *Can Also Be Provided in Polished or Powder Cote Finish*

DIMENSIONS:

As Depicted Above

INSTALLATION GUIDE:

These units are to be surface mounted and are subject to compliance to Australian Building Code Regulations and/or AS 1428.1 for height location and fitment for disabled/accessible use as may be applicable, which is the responsibility of the installation contractor.

Anchors are not included with the units and are the responsibility of the installation contractor, as is the compliance re fitment of internal wall blocking, such as noggins for anchoring the unit to using the appropriate hardware.

NOTE: *It is recommended that a "wet area" rated silicone be placed between the mounting flange and surface being affixed to, in minimising ingress of water (shower applications) or cleaning agents that may react unfavorably with fixings or in creating unwanted staining*



All Metlam Disabled/Accessible Products Comply To AS 1428.1 When Correctly Installed*

***NB.** Some cisterns and setups may require minimum 400mm or 450mm side rail to comply with AS1428.1

These units should only be installed by a competent tradesperson and Metlam Australia takes no responsibility for any damage to walls or fixtures due to incorrect installation.