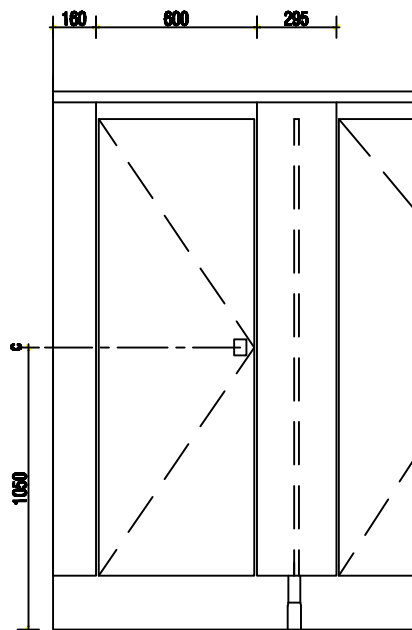
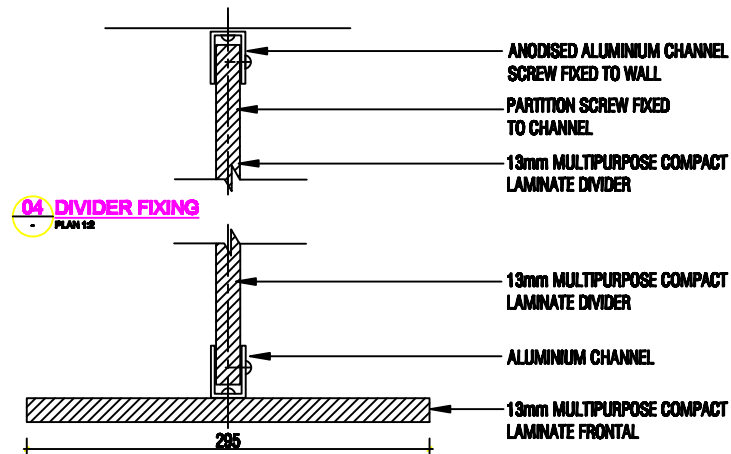


02 ELEVATION
- 1:10

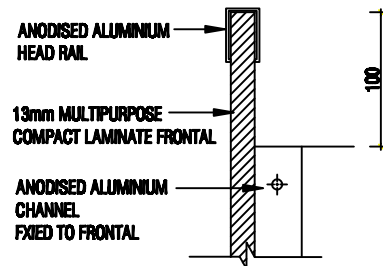


03 ELEVATION
- 1:10

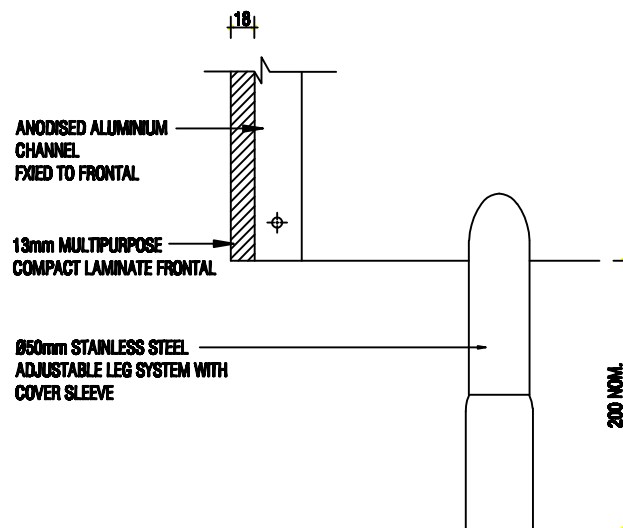


04 DIVIDER FIXING
- PLAN 1:2

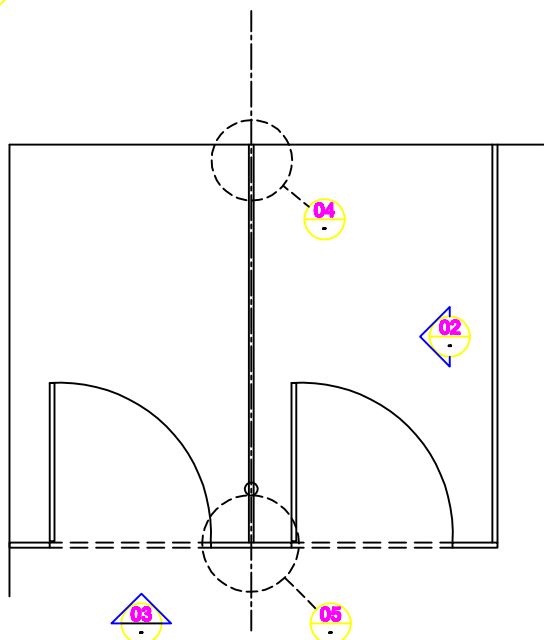
05 FRONTAL FIXING
- PLAN 1:2



06 HEAD RAIL
- DETAIL 1:2



07 FLOOR LEG
- SECTION 1:2



01 PLAN
- 1:10



Kirkbuild Systems Pty. Ltd.

64a River Road
Redbank QLD 4301
PO Box 101 Redbank
QLD 4301

Ph: 1300 547 528
Fax: (07) 3818 2273
admin@kirkbuild.com.au
www.kirkbuild.com.au

JOB DESCRIPTION
KIRKBUILD INVINCIBLE 1G

DRAWING DESCRIPTION
13mm COMPACT LAMINATE
LEG FLOOR MOUNTED
PARTITION SYSTEM

SCALE DATE
AS SHOWN JAN 14

DRAWING NO. ISSUE
1G 01