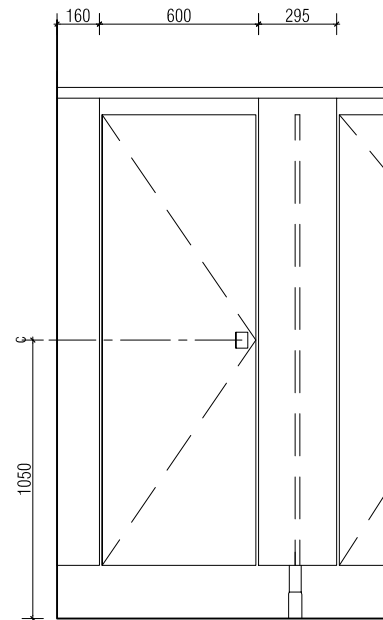
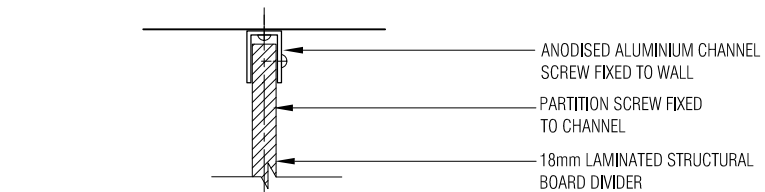


02 ELEVATION
1:10

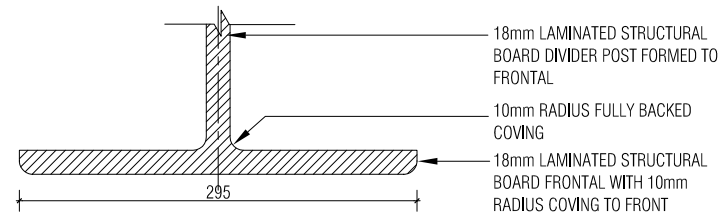


03 ELEVATION
1:10



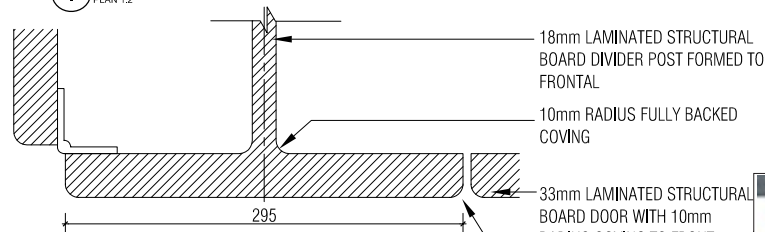
04 DIVIDER FIXING
PLAN 1:2

ANODISED ALUMINIUM CHANNEL
SCREW FIXED TO WALL
PARTITION SCREW FIXED
TO CHANNEL
18mm LAMINATED STRUCTURAL
BOARD DIVIDER



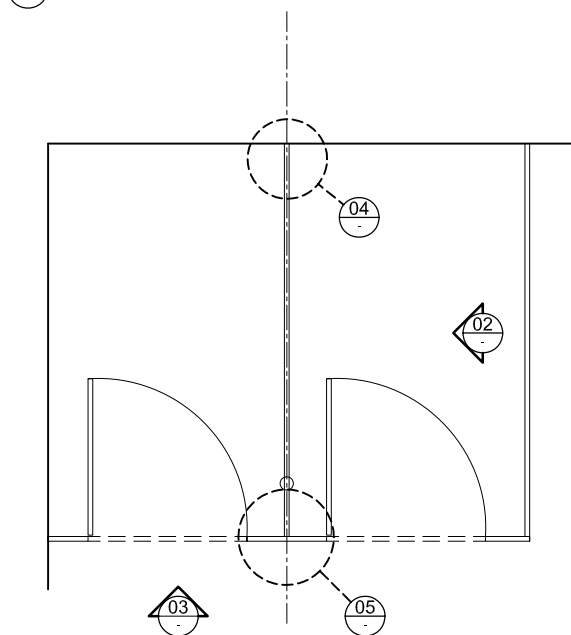
05 OPTIONAL FRONTAL FIXING (1C)
PLAN 1:2

18mm LAMINATED STRUCTURAL
BOARD DIVIDER POST FORMED TO
FRONTAL
10mm RADIUS FULLY BACKED
COVING
18mm LAMINATED STRUCTURAL
BOARD FRONTAL WITH 10mm
RADIUS COVING TO FRONT

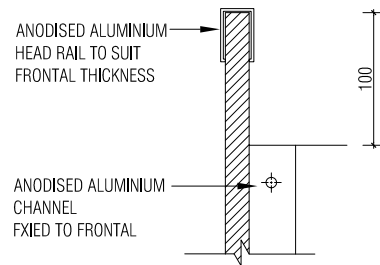


06 OPTIONAL FRONTAL FIXING (1B)
PLAN 1:2

18mm LAMINATED STRUCTURAL
BOARD DIVIDER POST FORMED TO
FRONTAL
10mm RADIUS FULLY BACKED
COVING
33mm LAMINATED STRUCTURAL
BOARD DOOR WITH 10mm
RADIUS COVING TO FRONT
33mm LAMINATED STRUCTURAL
BOARD FRONTAL WITH 10mm
RADIUS COVING TO FRONT

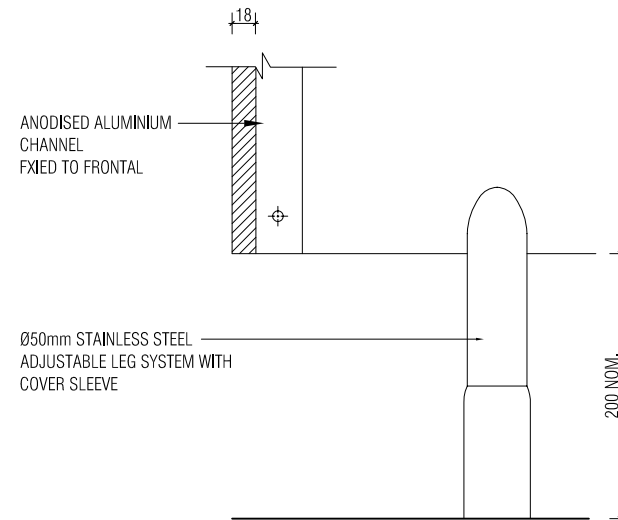


01 PLAN
1:10



07 HEAD RAIL
DETAIL 1:2

ANODISED ALUMINIUM
HEAD RAIL TO SUIT
FRONTAL THICKNESS
ANODISED ALUMINIUM
CHANNEL
FIXED TO FRONTAL



08 FLOOR LEG
SECTION 1:2

ANODISED ALUMINIUM
CHANNEL
FIXED TO FRONTAL
Ø50mm STAINLESS STEEL
ADJUSTABLE LEG SYSTEM WITH
COVER SLEEVE



Kirkbuild Systems Pty. Ltd.

64a River Road
Redbank QLD 4301
PO Box 101 Redbank
QLD 4301

Ph: 1300 547 528
Fax: (07) 3818 2273
admin@kirkbuild.com.au
www.kirkbuild.com.au

JOB DESCRIPTION
KIRKBUILD INVINCIBLE 1B

DRAWING DESCRIPTION
18mm LAMINATED POSTFORMED
LEG FLOOR MOUNTED
PARTITION SYSTEM

SCALE DATE
AS SHOWN JAN 14

DRAWING NO. ISSUE
1B 01