



ML995CL Compact Laminate Folding Shower Seat

SPECIFICATIONS

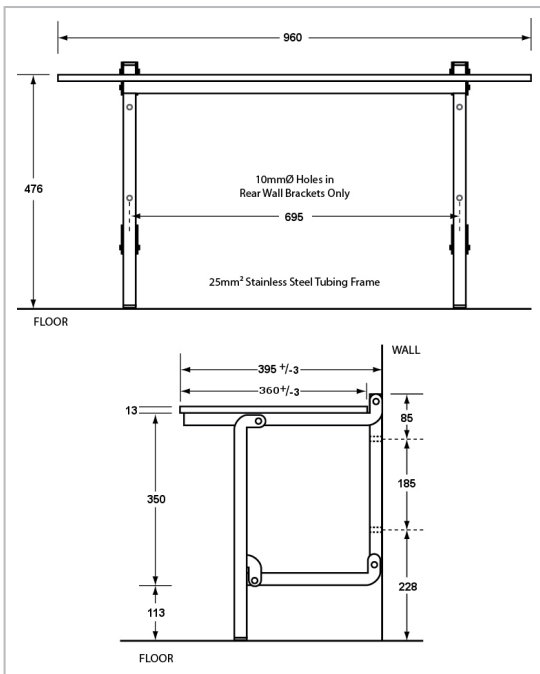
Material #304 Satin Stainless Steel Frame - 25mm² Tube
13mmT White Compact Laminate Single Piece Seat with Black Edging & Drainage Slots

Mounting Surface Mount Visible Fix

Features Fold away lockable support leg
Low profile upright storage position

Note Fully Compliant with AS1428. 1

Related Video [Stainless Steel Cleaning & Maintenance Video](#)



SUITABLE APPLICATIONS

