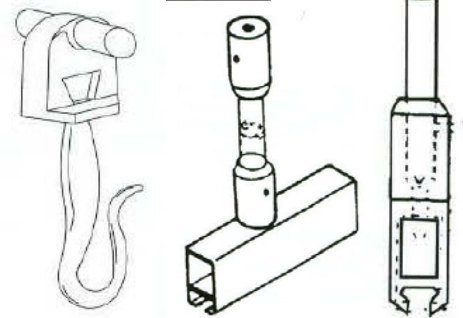
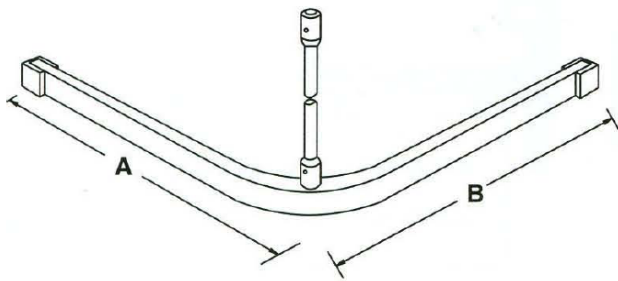




MATERIAL SPECIFICATION & INSTALLATION GUIDE

PRODUCT ITEM CODE & DESCRIPTION

ML SCT – SHOWER / BED CURTAIN TRACK SYSTEM (OEM Product)



MATERIAL SPECIFICATION:

Clear Anodised Aluminium Channel (Micro Profile 20x25mm or Macro Profile 20x38mm Available) - Concealed End Fix Mount Brackets - Ceiling Suspension Rod & Hanger Mounts / ABS Hooks / All Bends Seamless / Curtains made To Order / NOTE: *Track Can Also Be Provided in Straight Sections or Powder Cote Finish*

DIMENSIONS:

To Order (*Note: tracks greater than 1.8 x 1.8m will be supplied with 2 Ceiling Suspension Rods for a more secure in-situ installation*)

INSTALLATION GUIDE:

These units are to be surface mounted and are subject to compliance to Architectural Drawings/Plans and Building Code of Australia and/or AS 1428.1 for height location/fitment into a disabled/accessible facility as may be applicable, which is the responsibility of the installation contractor, as is the responsibility for fitment of internal wall/ceiling blocking, such as noggins/battens for anchoring the track to using appropriate hardware.

Anchors are not included with the units (recommendation is to be #316 SS) and are the responsibility of the installation contractor,

Note: When installing track, it is recommended that a bead of silicone be placed around/in all interface sections of the track and the surfaces being affixed to. This will minimise ingress of water (facility application) or cleaning agents that may react unfavourably with fixings or in creating unwanted reactive staining.

These units should only be installed by a competent tradesperson and Metlam Australia takes no responsibility for any damage to walls or fixtures due to incorrect installation.